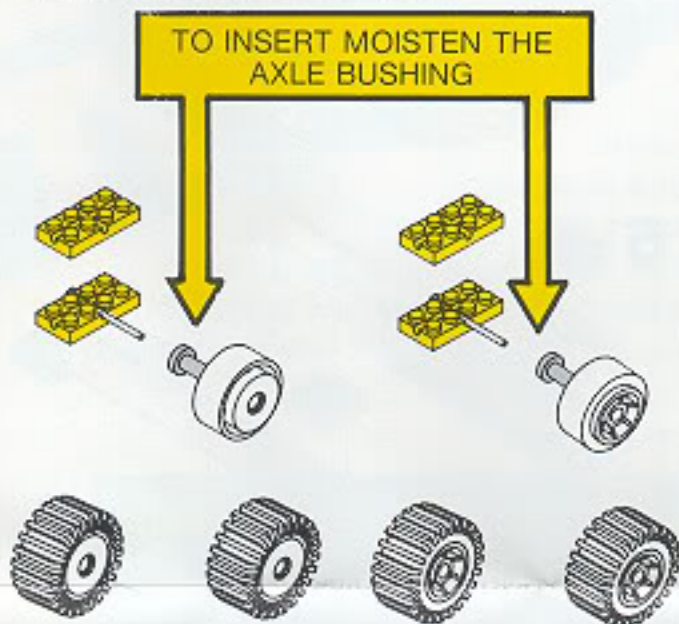


## BASIC CONSTRUCTION

The following drawings will illustrate the basic functions of a few Tyco Super Block pieces used in our Road Builder set. Your set may not contain all of the blocks and colors shown in this booklet.

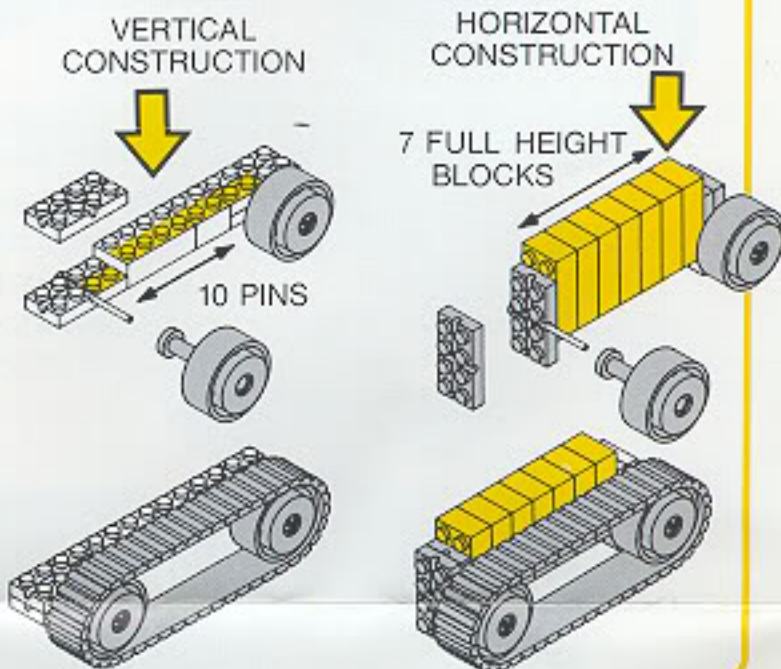
### WHEEL AND AXLE ASSEMBLY

By reversing wheels and or tires vehicles can look different everytime.

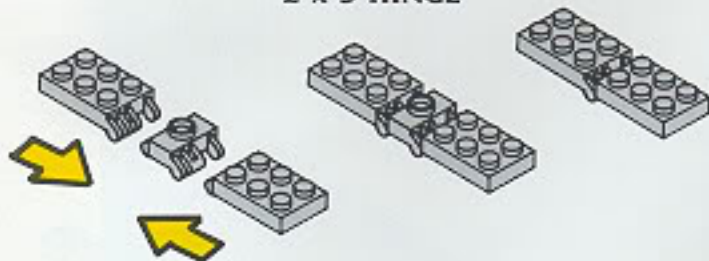


### TREADS

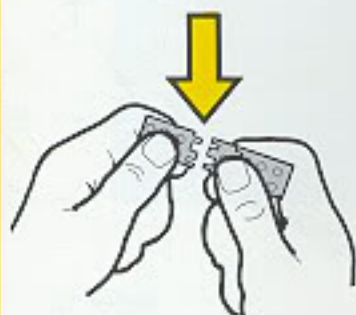
The use of treads is limited by the distance between the wheels.



### 2 x 3 HINGE

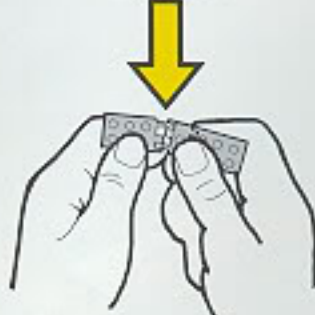


SNAP



To take hinge apart pull straight out.

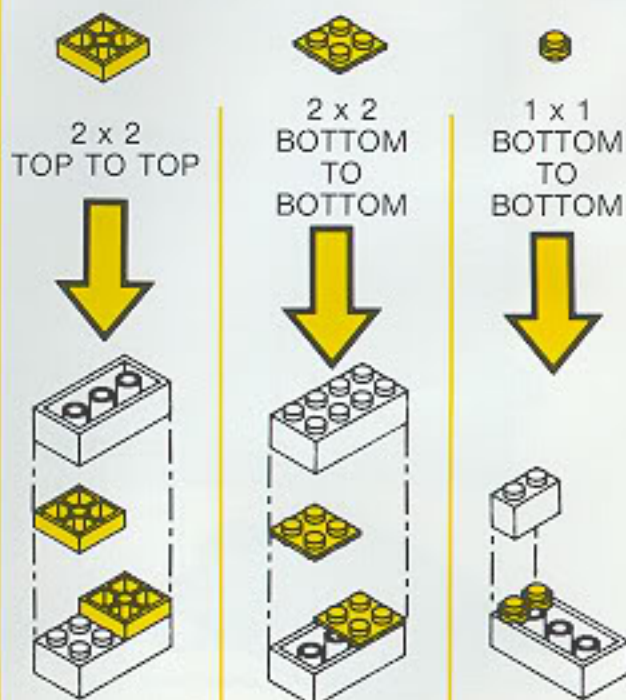
DO NOT



This will damage the hinge.

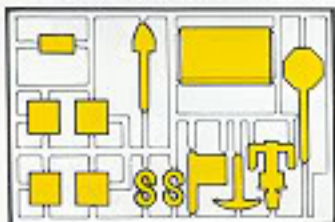
### ADAPTERS

VARIOUS APPLICATIONS





**ACCESSORY SPRUE**



PICK AXE



LUNCHBOX



JACK HAMMER



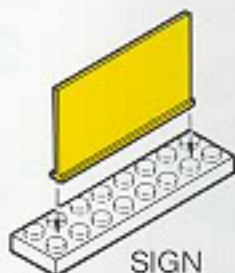
FLAG



STOP SIGN



SHOVEL



SIGN

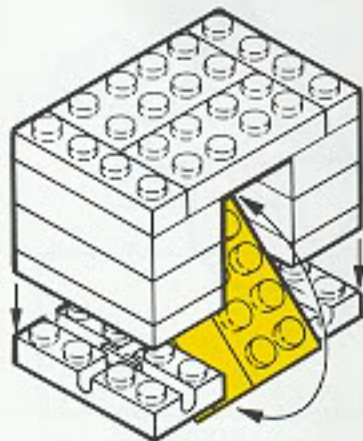
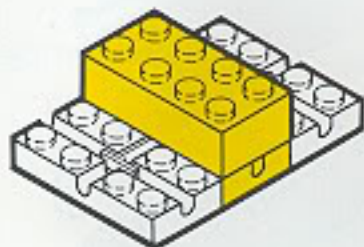
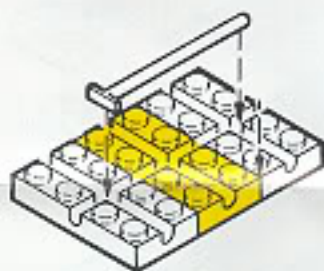


S-HOOKS



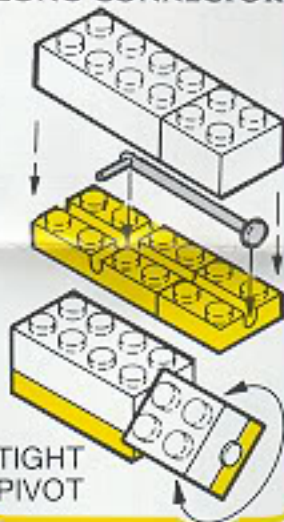
CONES

**1/2 STEEL "T" AXLE**



CENTER PIVOT

**LONG CONNECTOR**



TIGHT PIVOT

**WINCH**

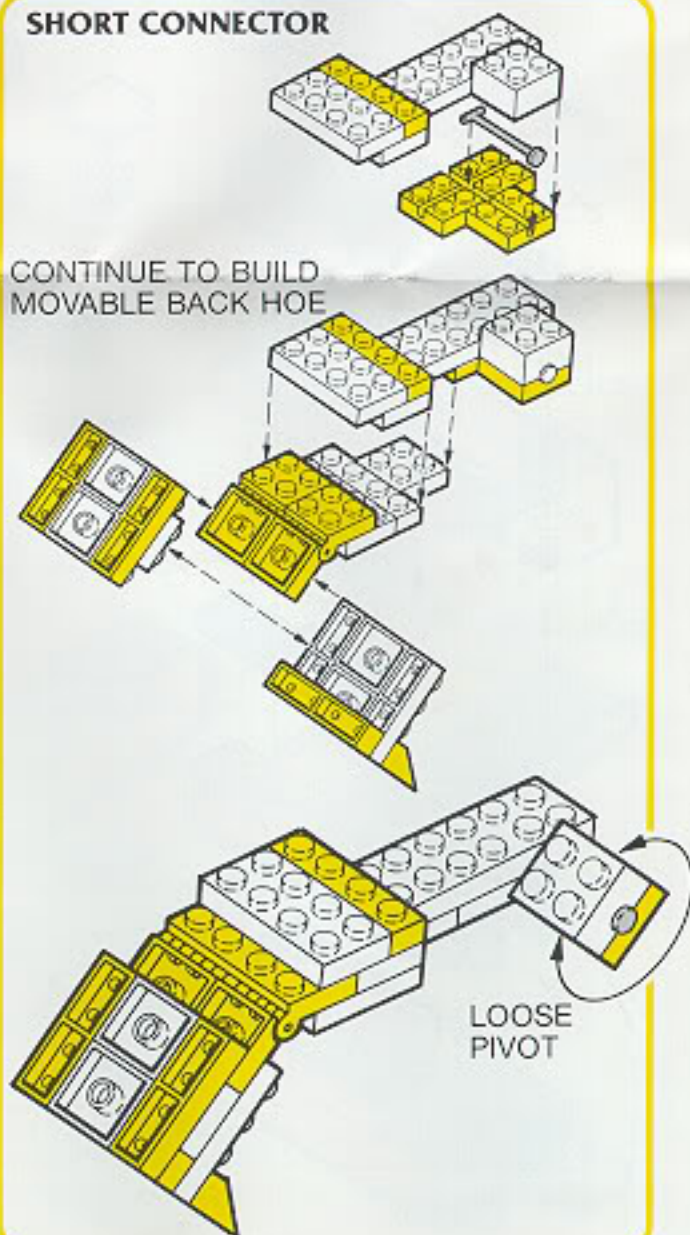


TIE KNOT

**S-HOOK**



**SHORT CONNECTOR**



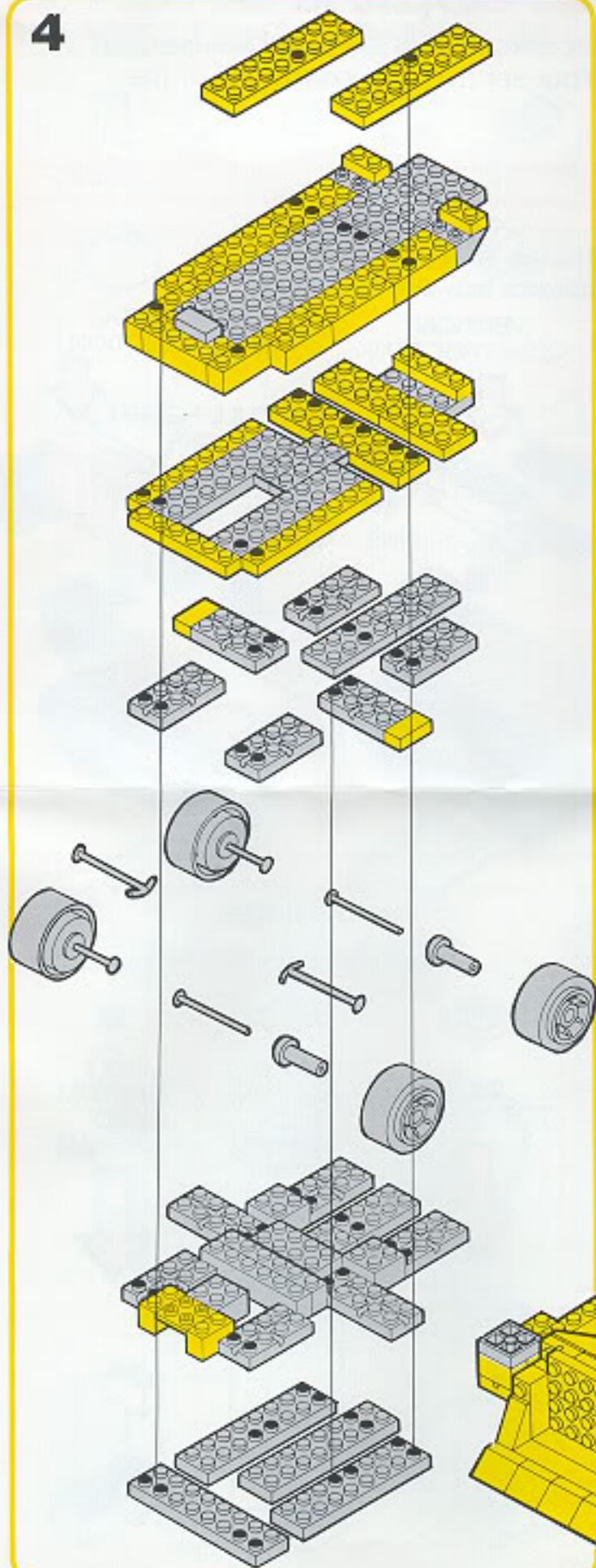
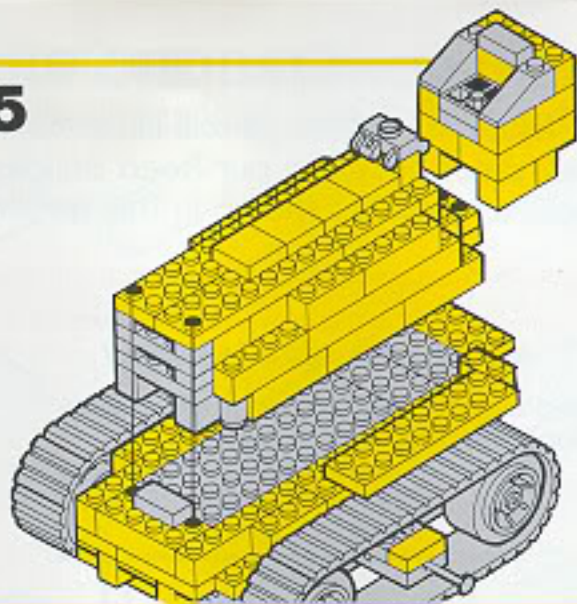
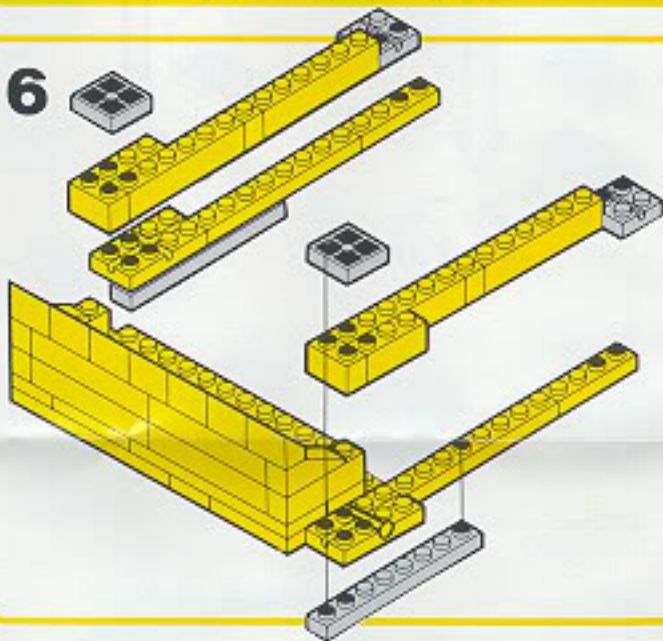
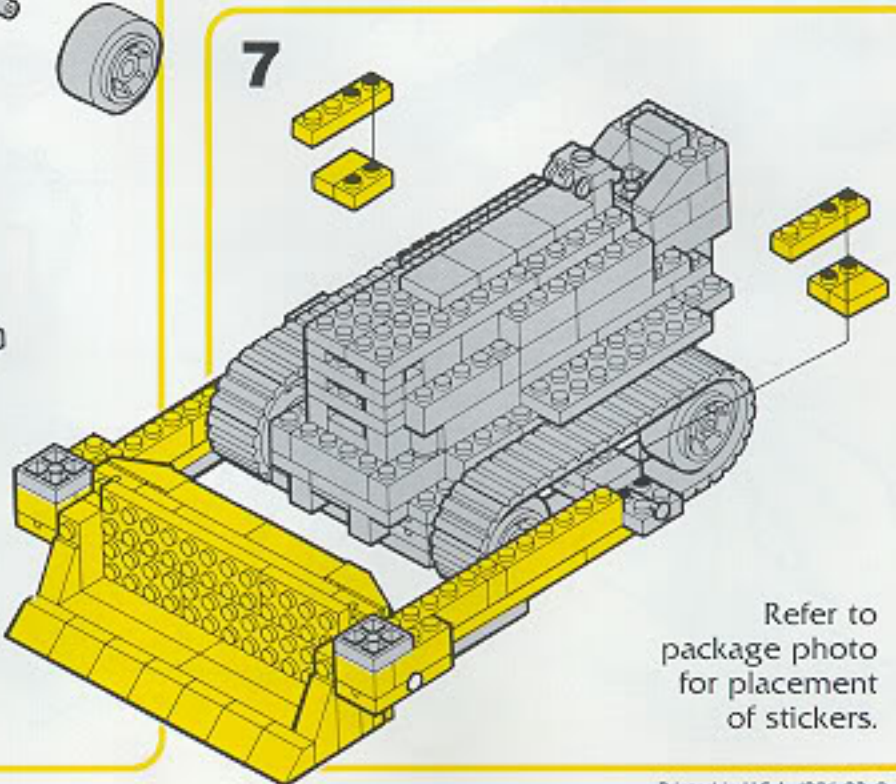
CONTINUE TO BUILD MOVABLE BACK HOE

LOOSE PIVOT







**4****5****6****7**

Refer to  
package photo  
for placement  
of stickers.